

www.barwood.se



- Pergola
- Uterum
- Attefallshus
- Pvc
- Alu
- Glidande system
- Kontorskontainer
- Modulhus
- Persienner

Introduction and performance

The Barwood retractable bioclimatic aluminium pergola system provides a comfortable outdoor coating to its users with its design that allows outdoor use in all seasons of the year and in all weather conditions.

The system is designed to withstand even severe weather conditions such as strong winds, the worst rain, hail or excessive sunlight. The system has been sized according to its design using high grade 10 M extruded aluminium profiles that provide superior performance for exterior product applications.

For all projects, surface protection against environmental conditions is provided with thermoset powder coating. To ensure longer system life, all bolts, screws and pins are chosen from high-grade stainless steel or surface-coated alloy steel materials. The Barwood roof panel profiles have been designed with unique water guard side channels and cast aluminium end plates to allow for widths up to 7 m per system.

Projections are customized according to site requirements and available in any size up to 7 m.

The system is remotely controlled and provides protection up to 24 square meters, but it is also possible to connect multiple systems together when required. It is possible and easy to use in all weather conditions with the profile and joining kits with a unique design that provides 100 % waterproof joining at all times.

The system has an integrated gutter system specially designed to carry away even the heaviest rain smoothly. Also, a unique roof panel profile design with a special geometry is presented to transfer water easily to the gutter by flowing over the roof panels.

A comfortable living space is offered to users with a specially produced direct drive motor system to provide smooth and quieter operation with remote-controlled motorization.

While the LED lighting system provides practicality and flexibility of use, it allows the user to change the brightness settings of the environment with the remote control light setting in accordance with the request.

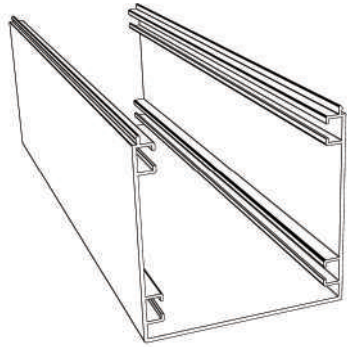
The system movement is provided by a trigger belt that contains a three-layer barrier system and is reinforced with multiple internal stainless-steel cables. Lamella joint pins located at both ends of the Lamella provide linear movement of lamellae within the rafter profile.

Many lamella drive sheets support the drive system. The motor drive is transferred to the panels with the Lamella drive plates and the trigger belt, so that the drive system allows the roof panels to be opened gradually up to 60 degrees, allowing the roof panels to be arranged side by side at the rear. In addition, the roof panels can be filled with foam, according to the customer's request, to increase heat and sound insulation.

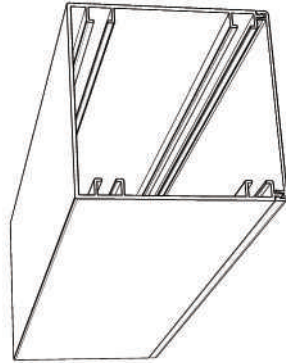
We focus on all the details in every system we design to provide the highest level of protection. Systems are formed as standard with edge wicks with flexible and unique designs in all parameters.



The Main Parts of Aluminum Used in Bioclimatics

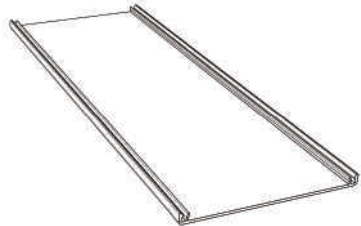


GU 3174
4,198 kg/m

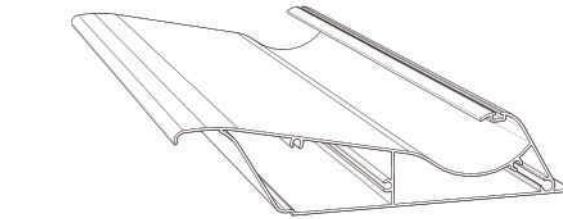


GU 3174
4,198 kg/m

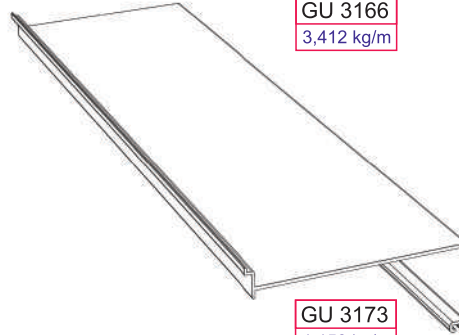
GU 3175
1,084 kg/m



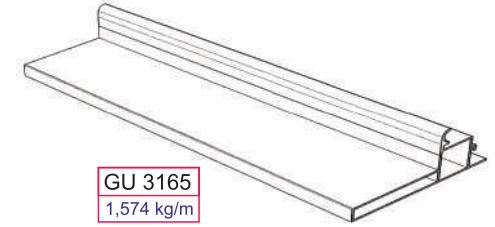
GU 3175
1,084 kg/m



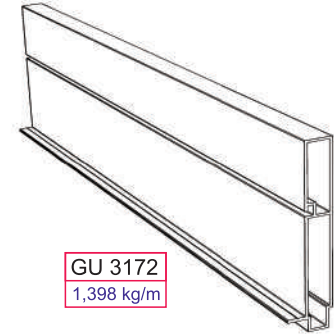
GU 3166
3,412 kg/m



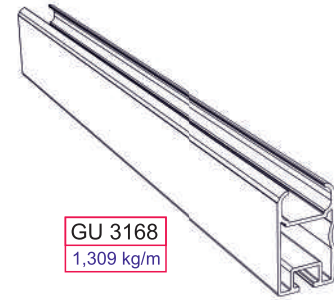
GU 3173
1,152 kg/m



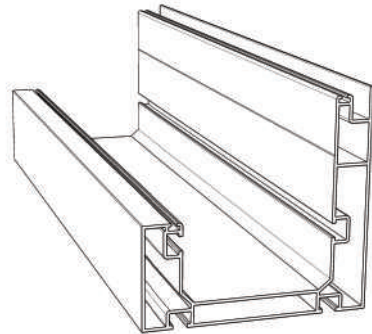
GU 3165
1,574 kg/m



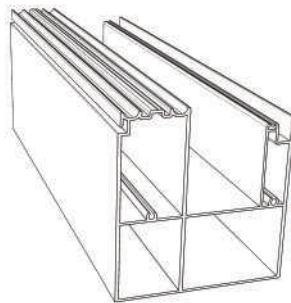
GU 3172
1,398 kg/m



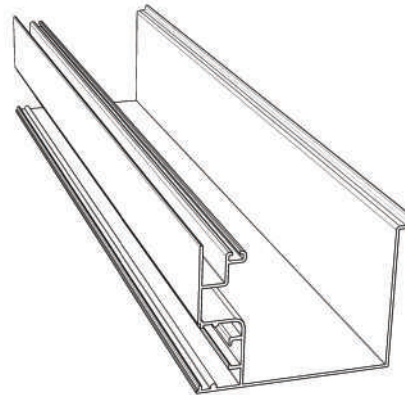
GU 3168
1,309 kg/m



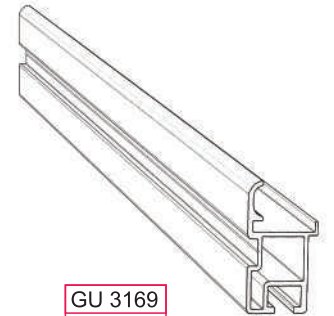
GU 3171
4,691 kg/m



GU 3170
6,859 kg/m



GU 3167
1,558 kg/m



GU 3169
1,135 kg/m

Powered by an electric motor and sealed with high quality gasket plugs, providing a completely airtight space which can be used in all weather conditions.

The motorized roof consists of rotatable aluminum panels

GU 3166



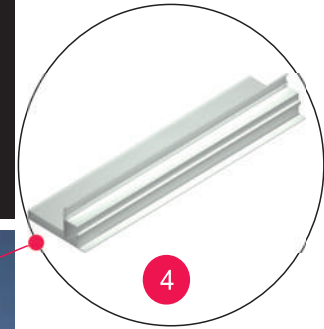
GU 3172



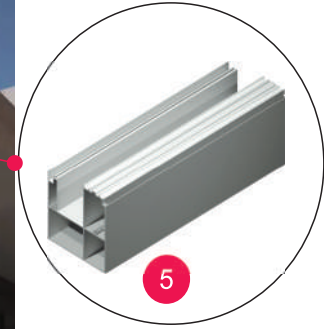
GU 3171



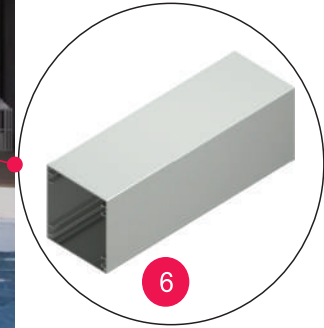
GU 3165



GU 3170



GU 3174



1 Panel

2 Cover

3 Gutter

4 Connection Part of Rail

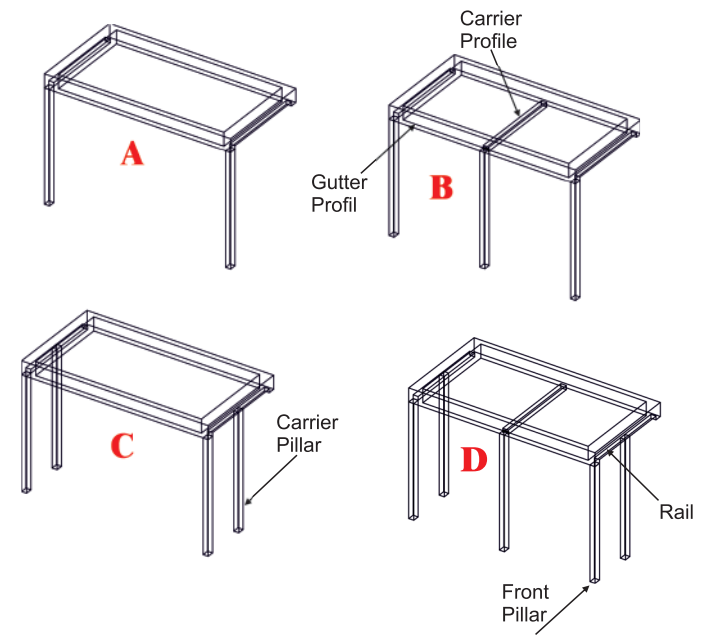
5 Rail

6 Pillar

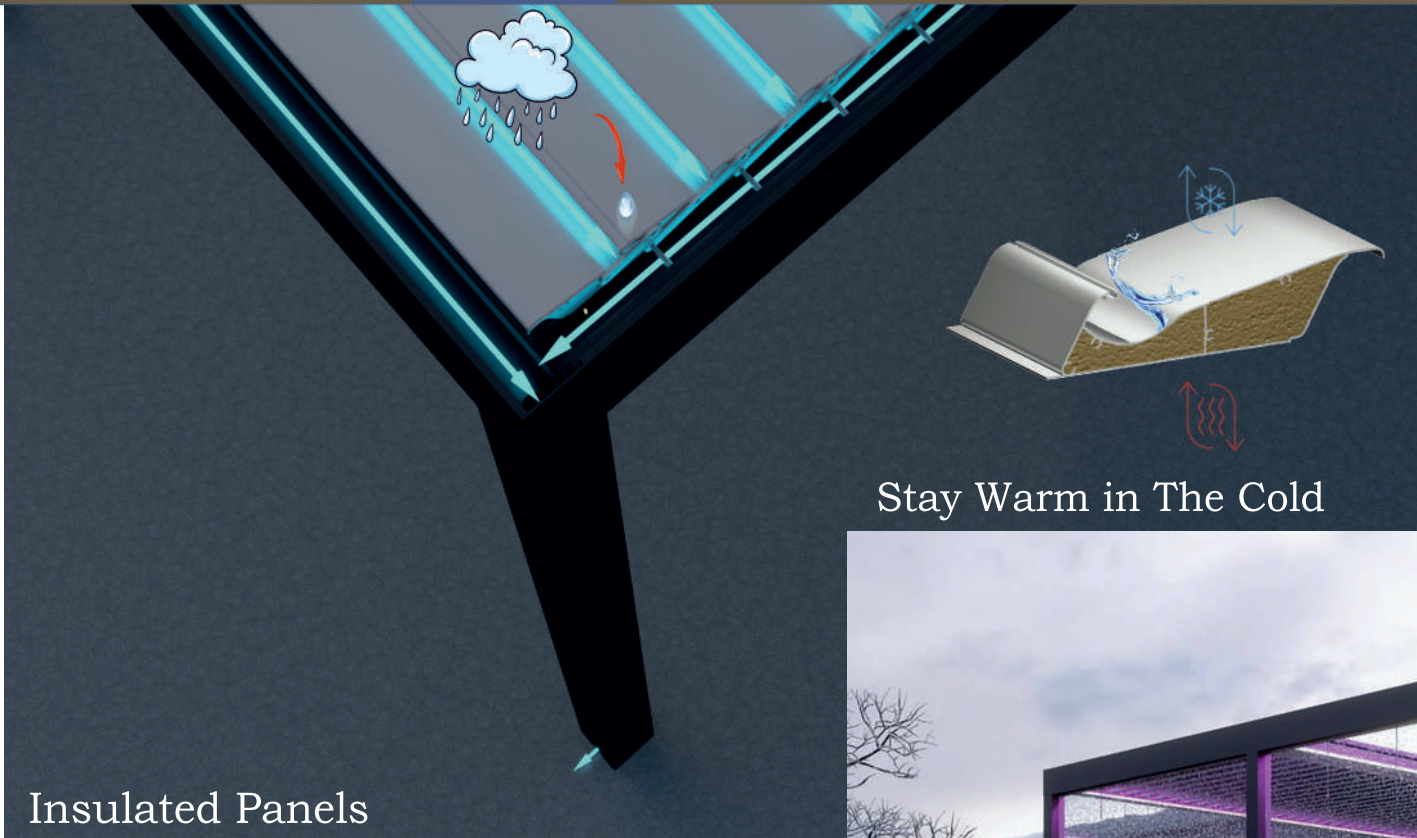
CALCULATE STRUCTURE OF ROLLING ROOF SYSTEMS

Projection / mm	Width / mm									
	MIN	3000	3500	4000	4500	5000	5500	6000	6500	7000
3000	A	A	A	A	B	B	B	B	B	B
3500	A	A	A	A	B	B	B	B	B	B
4000	A	A	A	A	B	B	B	B	B	B
4500	A	A	A	A	B	B	B	B	B	B
5000	A	A	A	A	B	B	B	B	B	B
5500	A	A	A	A	B	B	B	B	B	B
6000	A	A	A	A	B	B	B	B	B	B
6500	C	C	C	C	D	D	D	D	D	D
7000	C	C	C	C	D	D				
7500	C	C	C	C	D	D				
8000	C	C	C	C						
8500	C	C	C	C						
										MAX

ROLLING ROOF Designing



Material...	aluminium
Canopy material	with smooth slats, sun shade louvers
Specifications	custom, Rolling bioclimatic, motorized, wind-proof
Options and accessories	with integrated LED
Style	contemporary
Ecological characteristics	energy-saving, recyclable, 100% recyclable
Color	Main Color (White / Black ...)



Stay Warm in The Cold



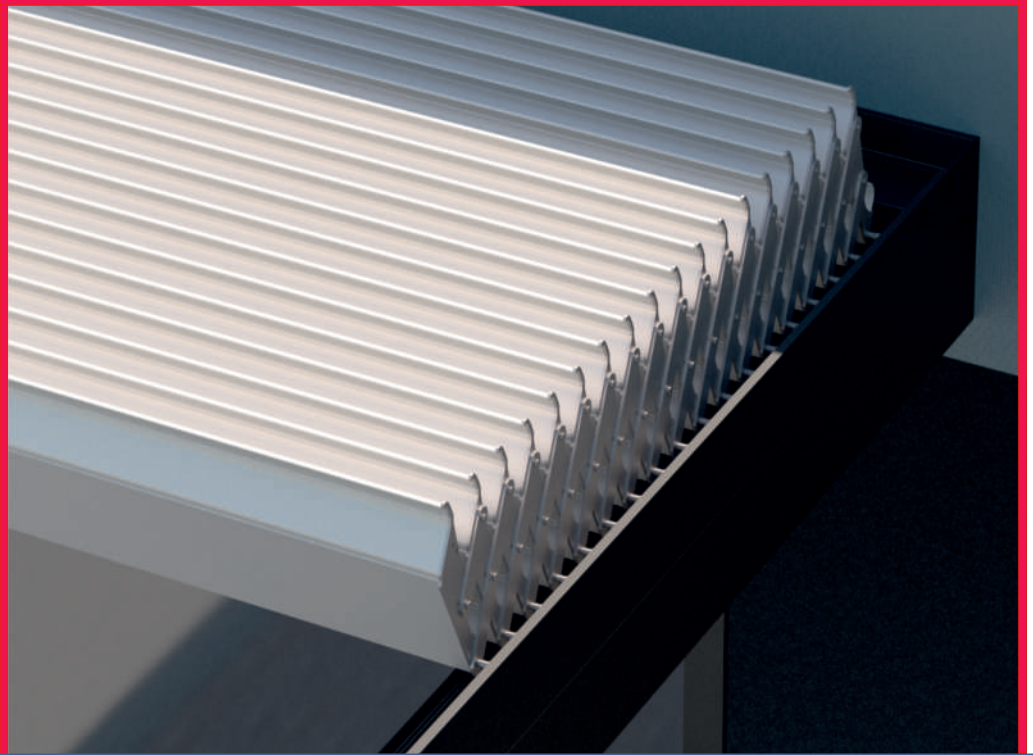
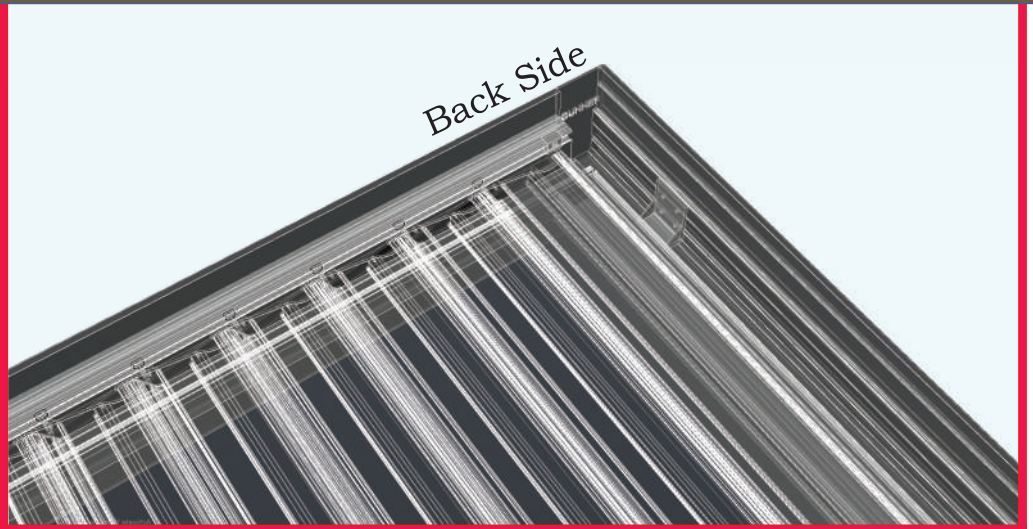
Stay Cold in The Warm

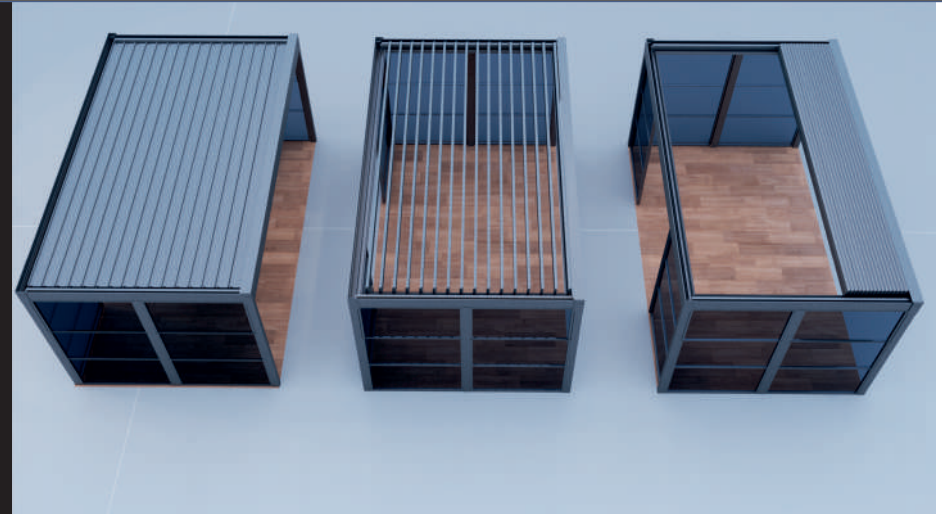
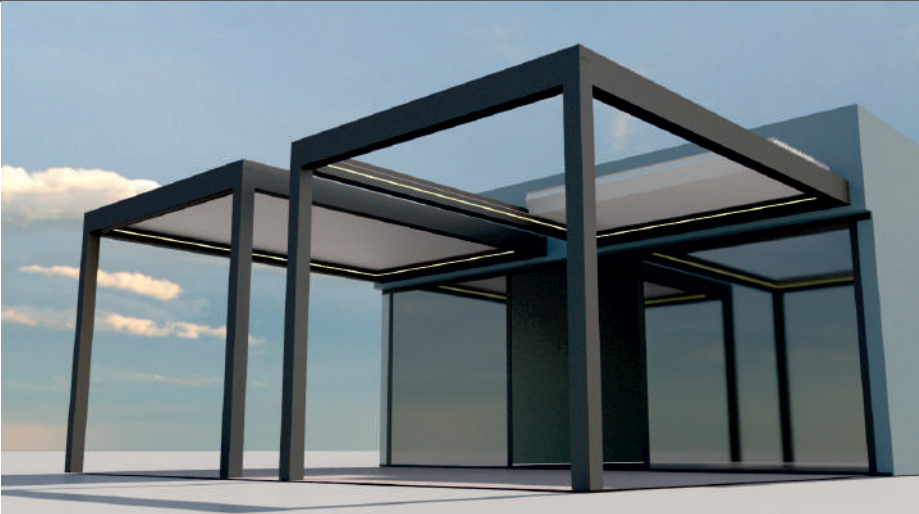
Insulated Panels

Significantly reduces wastage of hot weather in winter and cold weather in summer.

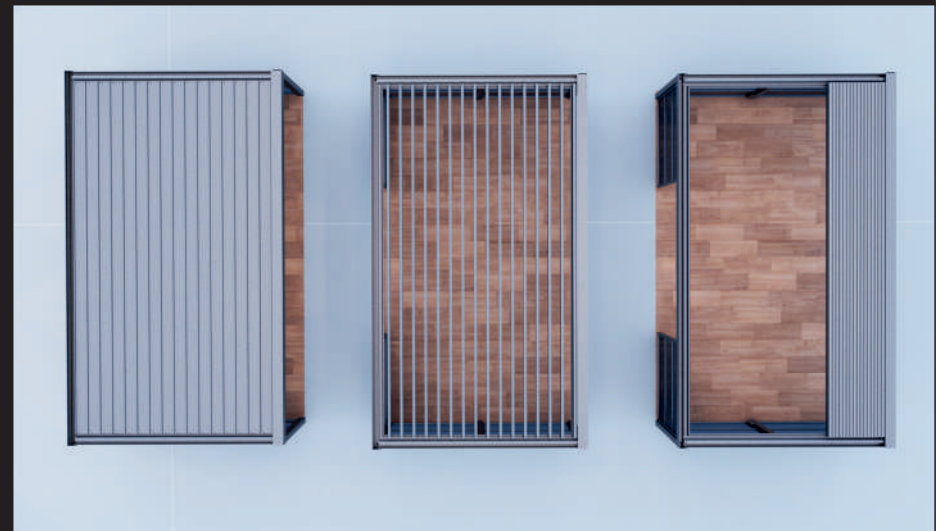
Panels can be filled with Polyurethane Foam which provides extra comfort.





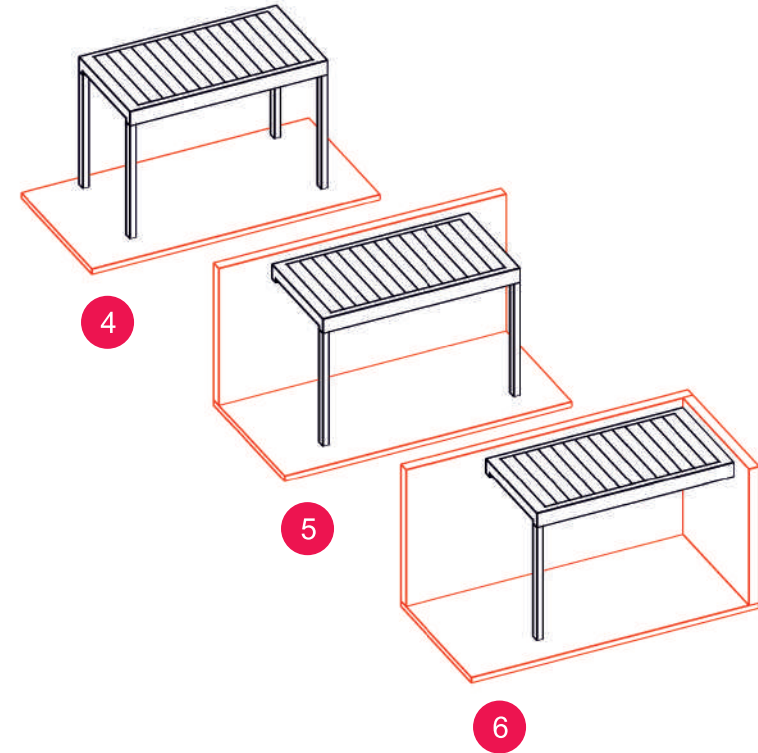
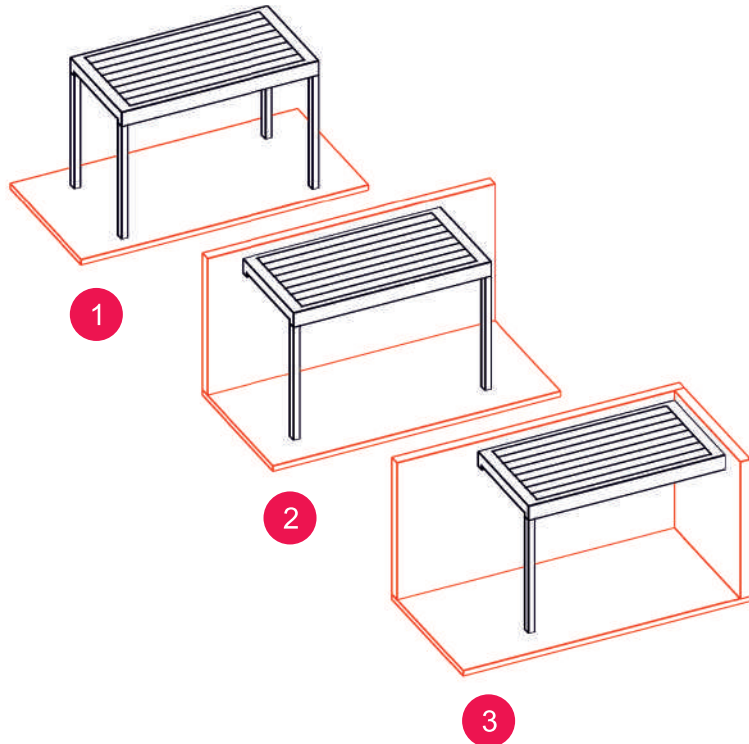


Rainwater or snow from the surface of the panels is directed to the gutters that are installed around the system and is directed into the pipes inside the pillars and finally drained out



The Top View Shows The Three Positions of The Panels

STANDING POSITIONS OF ROLLING ROOF



- 1 SELF STANDING SINGLE MODULE (Horizontal Panels)
- 2 WALL ASSAMBELED ON ONE SIDE (Horizontal Panels)
- 3 WALL ASSAMBELED ON TWO SIDES (Horizontal Panels)
- 4 SELF STANDING SINGLE MODULE (Vertical Panels)
- 5 WALL ASSAMBELED ON ONE SIDE (Vertical Panels)
- 6 WALL ASSAMBELED ON TWO SIDES (Vertical Panels)

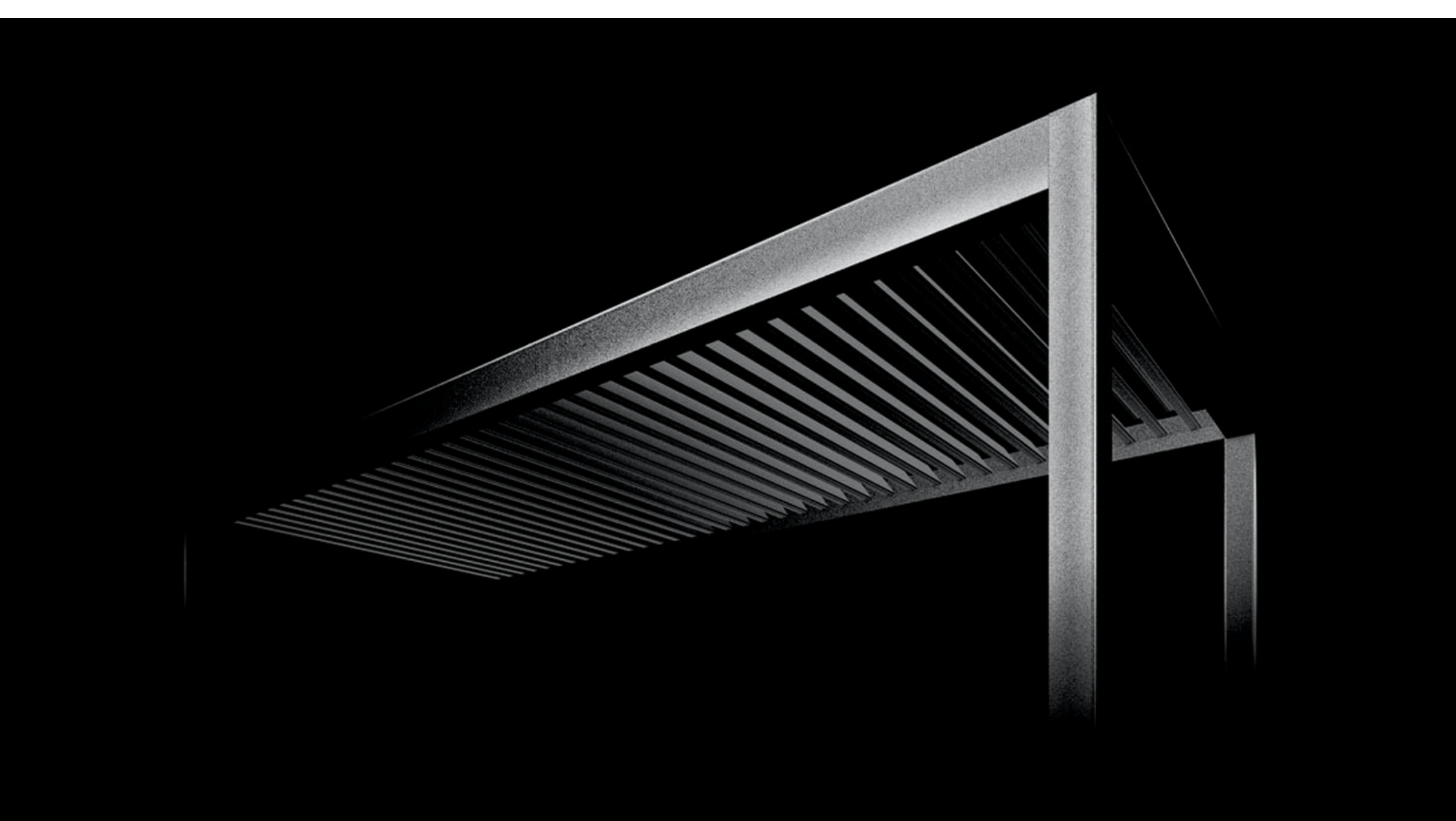












www.barwood.se